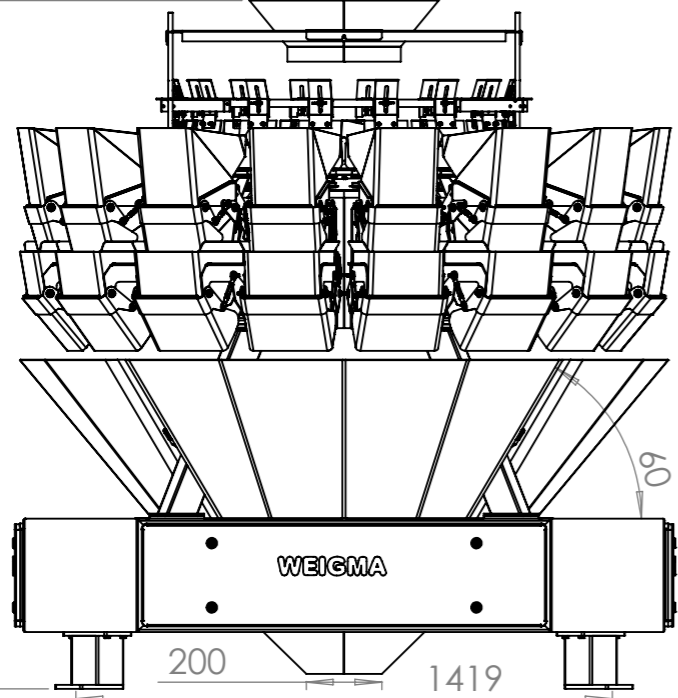


1419

500



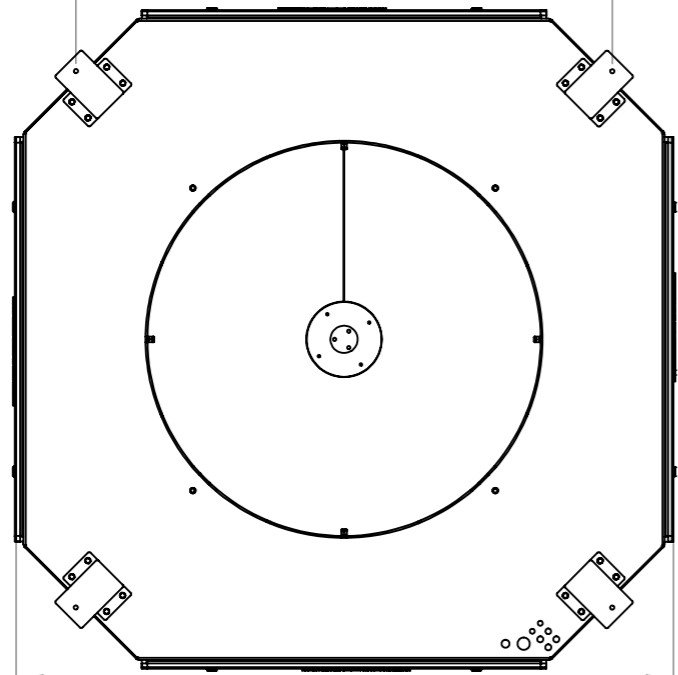
1820

WEIGMA

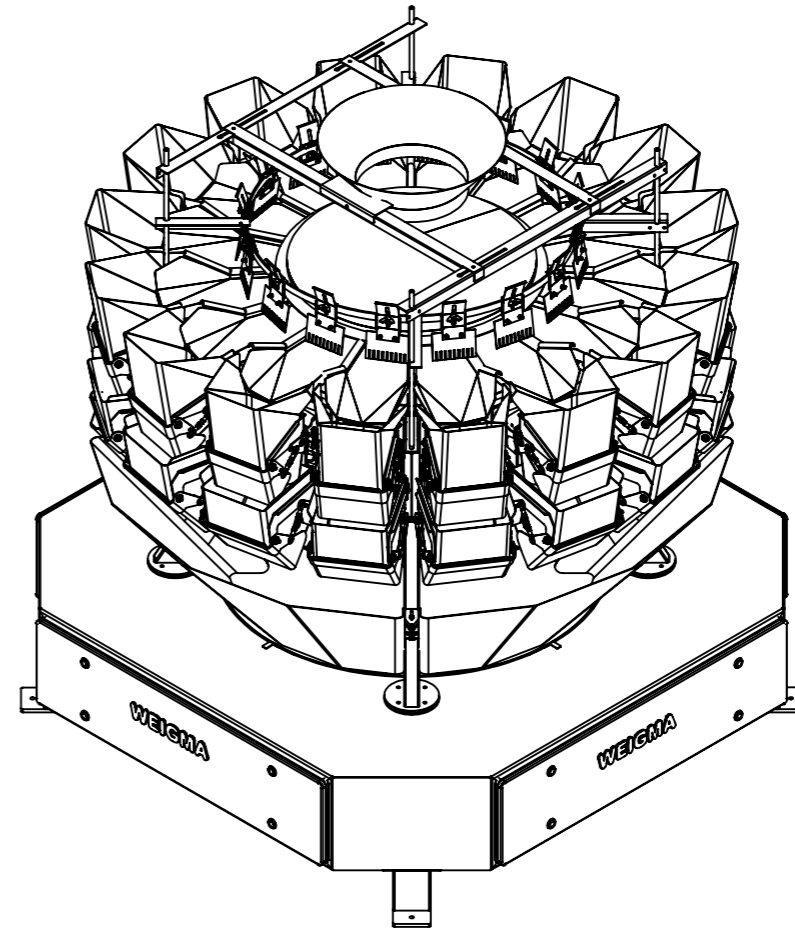
200

1419

60



1738



G:\DISEÑO\WEIGMA\MPS\MPS16\MPS16 8\L\PESADADORA MULTICABEZAL MPS16 8 WATERPROOFPredeterminado
G:\DISEÑO\WEIGMA\MPS\MPS16\MPS16 8\L\PESADADORA MULTICABEZAL MPS16 8 WATERPROOF

UNLESS OTHERWISE SPECIFIED: DIMENSIONS ARE IN MILLIMETERS		FINISH:		DEBUR AND BREAK SHARP EDGES		CODE: -	REVISION
SURFACE FINISH:						WEIGMA®	
TOLERANCES:							
LINEAR:						TITLE:	
ANGULAR:						PESADADORA MULTICABEZAL MPS16 8 WATERPROOF	
DRAWN	NAME	SIGNATURE	DATE			A3	
CHK'D							
APPV'D							
MFG							
Q.A				MATERIAL:		SCALE:1:50	
						SHEET 1 OF 1	
				WEIGHT:			