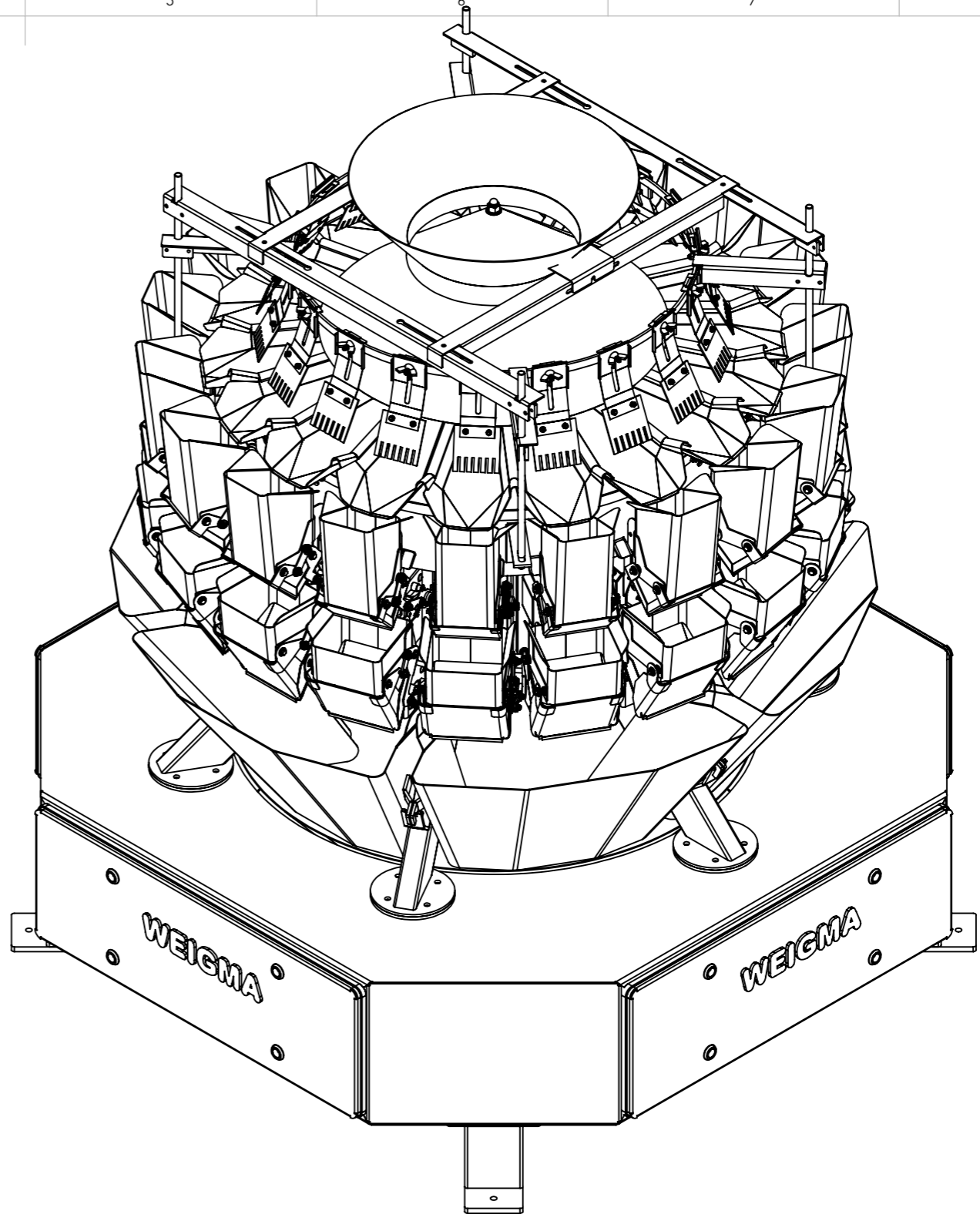
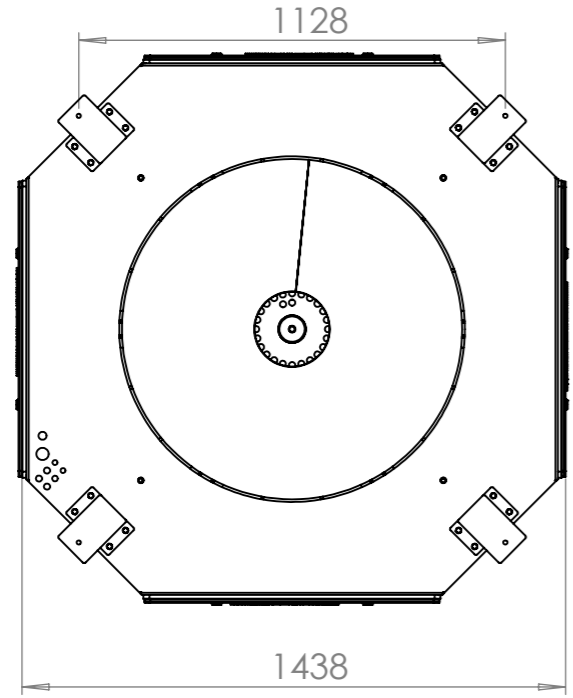
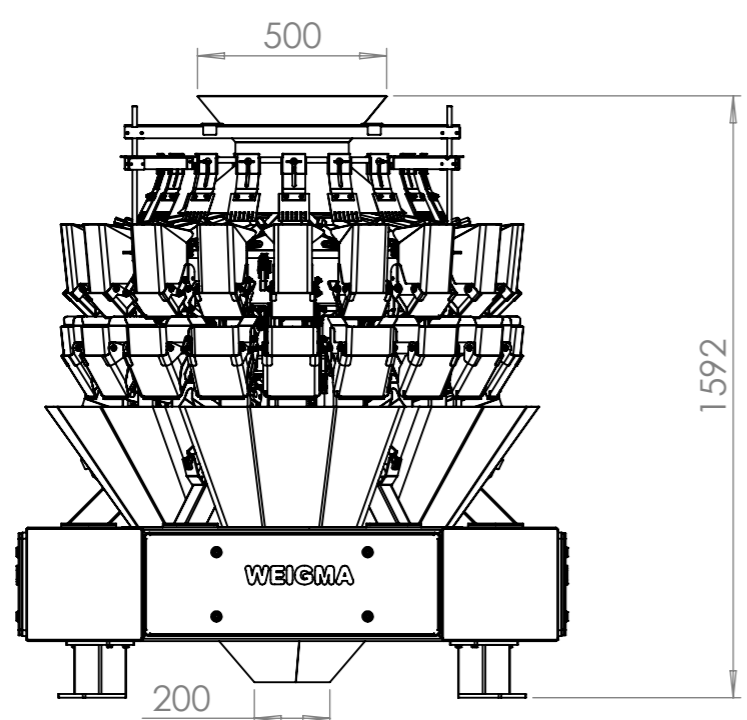
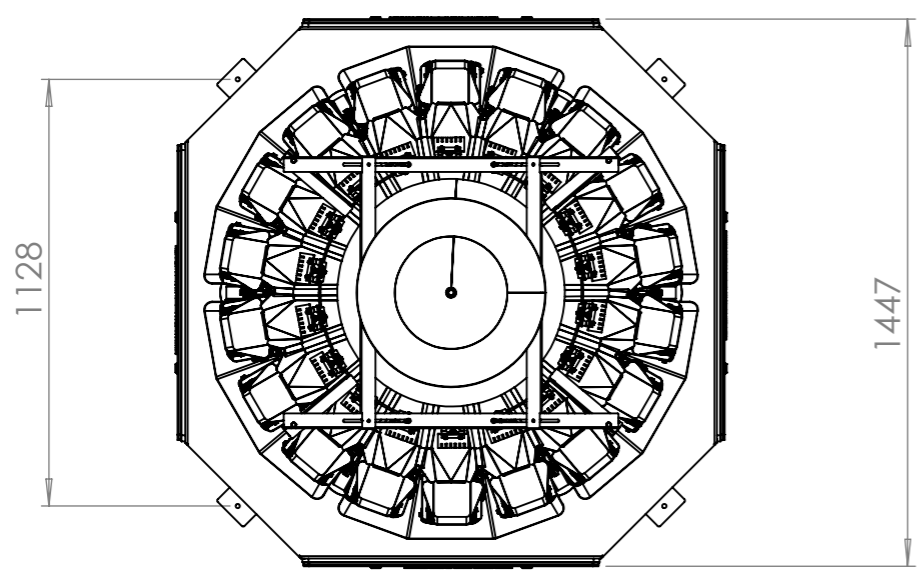


1 2 3 4 5 6 7 8

A
B
C
D
E
F



G:\DISEÑO\WEIGMA\MP18\MP18 PESADORA MULTICABEZAL V4Predeterminado
G:\DISEÑO\WEIGMA\MP18\MP18 PESADORA MULTICABEZAL V4

UNLESS OTHERWISE SPECIFIED: DIMENSIONS ARE IN MILLIMETERS SURFACE FINISH: TOLERANCES: LINEAR: ANGULAR:		FINISH:	DEBUR AND BREAK SHARP EDGES	CODE:	REVISION
				WEIGMA ®	
DRAWN		NAME	SIGNATURE	DATE	TITLE:
CHK'D					
APPV'D					
MFG					
Q.A		MATERIAL:		DWG: MP18 PESADORA MULTICABEZAL V4	
		WEIGHT:		SCALE: 1:50	A3
				SHEET 1 OF 1	

1 2 3 4